



GIA®

FACSIMILE

This is a digital representation of the original GIA Report. This representation might not be accepted in lieu of the original GIA Report in certain circumstances. The original GIA Report includes certain security features which are not reproducible on this facsimile.

GIA REPORT

***** 6651

Verify this report at GIA.edu

GIA NATURAL DIAMOND DOSSIER®

May 04, 2026

GIA Report Number ***** 6651

Shape and Cutting Style Round Brilliant

Measurements 5.16 - 5.19 x 3.06 mm

GRADING RESULTS

Carat Weight 0.50 carat

Color Grade D

Clarity Grade VVS1

Cut Grade Excellent

ADDITIONAL GRADING INFORMATION

Polish Excellent

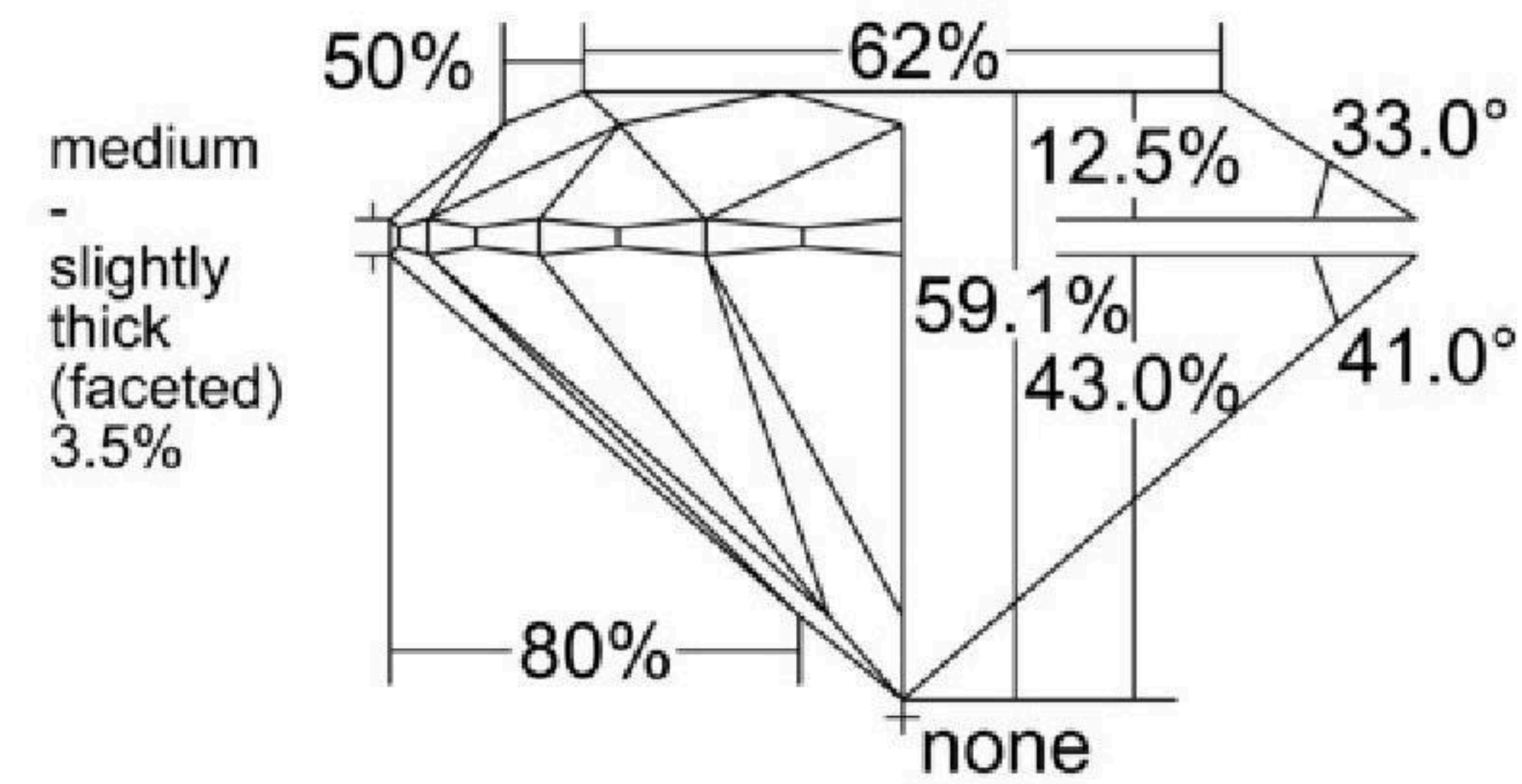
Symmetry Excellent

Fluorescence Strong Blue

Clarity Characteristics Pinpoint

Inscription(s): 6651

PROPORTIONS



Profile to actual proportions

GRADING SCALES

GIA
COLOR
SCALE

| | |
|----------------|---|
| COLORLESS | D |
| | E |
| | F |
| | G |
| NEAR COLORLESS | H |
| | I |
| | J |
| FAIN | K |
| | L |
| | M |
| | N |
| | O |
| VERY LIGHT | P |
| | Q |
| | R |
| | S |
| | T |
| | U |
| LIGHT | V |
| | W |
| | X |
| | Y |
| | Z |

GIA
CLARITY
SCALE

| | |
|-----------------------------|---------------------|
| | FLAWLESS |
| | INTERNALLY FLAWLESS |
| VERY VERY SLIGHTLY INCLUDED | VVS ₁ |
| | VVS ₂ |
| VERY SLIGHTLY INCLUDED | VS ₁ |
| | VS ₂ |
| SLIGHTLY INCLUDED | SI ₁ |
| | SI ₂ |
| INCLUDED | I ₁ |
| | I ₂ |
| | I ₃ |

GIA
CUT
SCALE

| | |
|--|-----------|
| | EXCELLENT |
| | VERY GOOD |
| | GOOD |
| | FAIR |
| | POOR |



The results documented in this report refer only to the diamond described, and were obtained using the techniques and equipment available to GIA at the time of examination. This report is not a guarantee or valuation. For additional information and important limitations and disclaimers, please see GIA.edu/terms or call +1 800 421 7250 or +1 760 603 4500. ©2023 Gemological Institute of America, Inc.

reportcheck.gia.edu



THE SECURITY FEATURES IN THIS DOCUMENT, INCLUDING THE HOLOGRAM, SECURITY SCREEN AND MICROPRINT LINES, IN ADDITION TO THOSE NOT LISTED, EXCEED DOCUMENT SECURITY INDUSTRY GUIDELINES.